

UNIVERGE WL1500-AP Access Point

Workhorse of the UNIVERGE Wireless Optimized Architecture™

UNIVERGE® Assured Mobility™ is NEC's newest generation wireless LAN (WLAN) communications solution, connecting people to people and information—anytime, anywhere, on any device.

The power behind Assured Mobility™ is the UNIVERGE Wireless Optimized Architecture (WOA), bringing a new level of intelligence to network design. WOA forwards management packets to the new UNIVERGE WL Controllers (WL1700-MS, WL5050 and WL5100) while intelligently forwarding media packets directly between Access Points (APs). This unique feature relieves network bottlenecks while enabling high-quality voice communications.

The UNIVERGE WL1500 Access Point (AP) does the heavy lifting for the WOA, providing direct AP-to-AP wireless connectivity to mobile clients. The WL1500-APs can be managed by any of the new UNIVERGE WL Controllers or UNIVERGE WL1700-MS Access Point.

WL1500-APs provide:

- WLAN access to the network
- Secure mobility
- Quality of service for vital applications
- Seamless roaming
- Maximum WLAN availability

The UNIVERGE WLMS Management Tool automates designing, configuring and deploying WOA. It determines the quantity of APs, their locations and their optimum configuration.

If a WL1500-AP needs to be replaced, the newly installed AP automatically downloads its correct configuration from the WLMS Management Tool.

WL1500-APs are designed to be inconspicuous in order to blend in with any interior decor. With no data stored on the APs, you need not be concerned about installing them in unsecured areas.

WL1500-APs continuously scan all 802.11 radio space and channels. They report findings to the new UNIVERGE WL Controllers and WLMS.

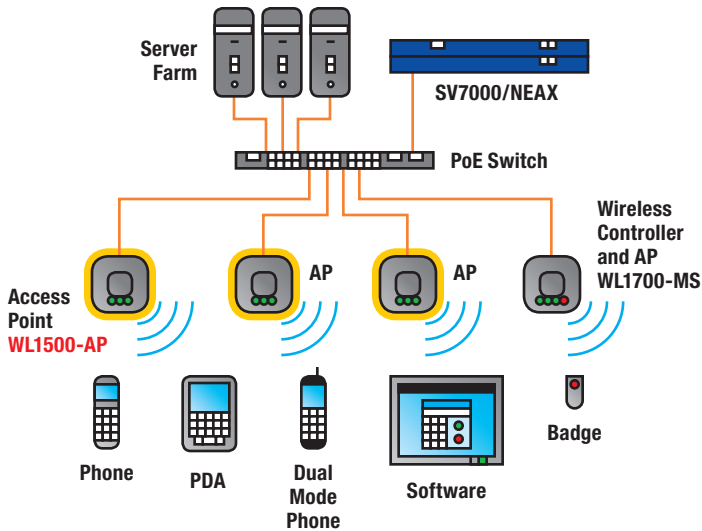
For more information, visit necunified.com/wlan.

Key Features

- **Managed Dual Radio.** Built-in capabilities.
- **No-Touch Configuration.** No programming in the Access Point.
- **Time-sensitive Traffic Prioritization.** Recognizes real-time packets and always gives voice traffic priority over data.
- **Optimized Security.** Has rogue, intrusion and denial-of-service detection on board.
- **Automatic RF Tuning.** Ensures the frequency is always accurate.



WL1500 Access Point



Specifications

UNIVERGE WL1500-AP

Wireless Frequency Band	2.4GHz/5GHz ISM Band
Physical/MAC Layer	IEEE 802.11a/b/g Dual Band/Tri Mode Supported
Modulation	5GHz: OFDM, 2.4GHz: OFDM, DSSS
Antenna	Internal: Diversity, External Connector: R-SMA
Wired Interface	10/100Base-TX x 2 ports, IEEE802.3af PD
AP Management Protocol	Control Plane: IETF CAPWAP WG Taxonomy and Architecture Compatibility Data Plane: IPinIP, Cauterized AP Connection
Features	Auto Config, RF Monitoring, Wireless Bandwidth Management, Dynamic Power Save Buffering, Virtual AP, Security (Crypto, Key-cache), Fail-over/Port Redundancy
Power Supply	802.3af PoE Compliant
Environmental	Operating Temperature: 32° to 104°F (0° to 40°C) Operating Humidity: 10-90%, non-condensing
Physical	Dimensions (WxDxH): 7.56 x 7.56 x 1.85 in. (192 x 192 x 47 mm) Weight: 1.41 lbs. (0.64 kg)

UNIVERGE® is NEC's framework to enable IP applications on converged networks while providing deployment flexibility and investment protection. UNIVERGE is an open and standards-based IP architecture, ensuring interoperability with other broadband media, IT equipment and business applications. It also enables seamless and mobile communication in a multi-network environment.
www.univerge.nec.com
info@univerge.jp.nec.com

Founded in 1899, **NEC Corporation** is one of the world's leading providers of Internet, broadband network and enterprise business solutions dedicated to meeting the specialized needs of its diverse base of customers. Ranked as one of the world's top patent-producing companies, NEC has been a global innovator in the design, manufacture, service and installation of communications networks ranging from just a few stations to several thousand.

Corporate Headquarters (Japan)
 NEC Corporation
www.nec.com

Oceania (Australia)
 NEC Business Solutions Ltd
www.necbs.com.au

Europe (EMEA)
 NEC Philips Unified Solutions
www.nec-philips.com

North America (USA)
 NEC Unified Solutions, Inc.
www.necunifiedsolutions.com

South Asia (Singapore)
 NEC Solutions Asia Pacific
www.nec.com.sg/ap

©2006 NEC Corporation. All rights reserved. NEC, NEC logo, UNIVERGE and Wireless Optimized architecture (WOA) are trademarks or registered trademarks of NEC Corporation that may be registered in Japan and other jurisdictions. All trademarks identified with ® or ™ are registered trademarks or trademarks respectively.

* Models may vary for each country. Please refer to your local NEC representatives for further details.